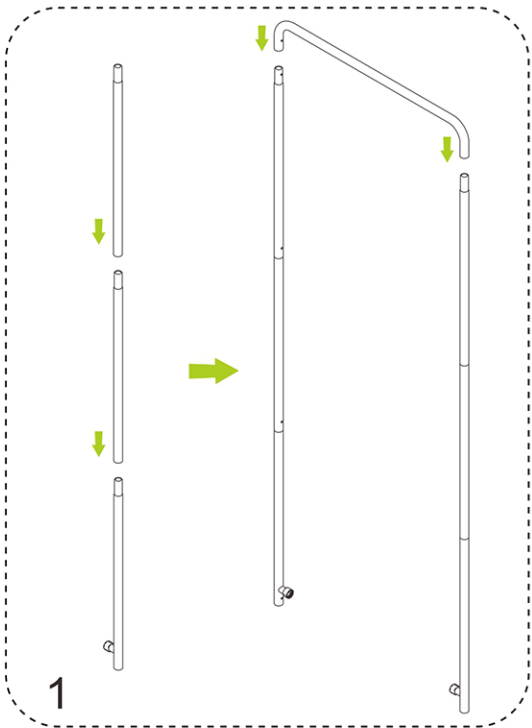
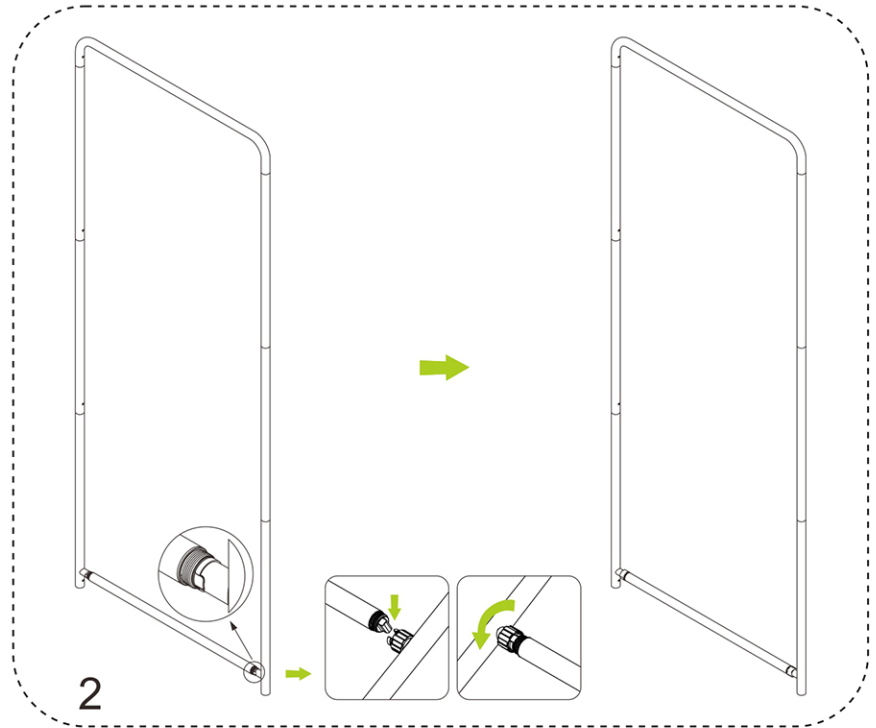


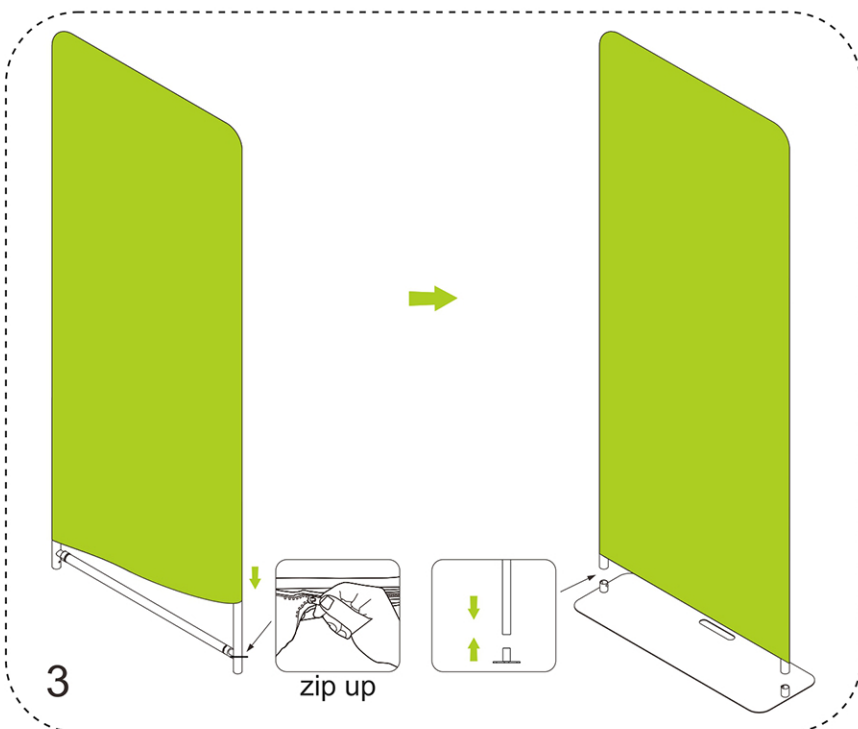
Straight tension fabric banner stand



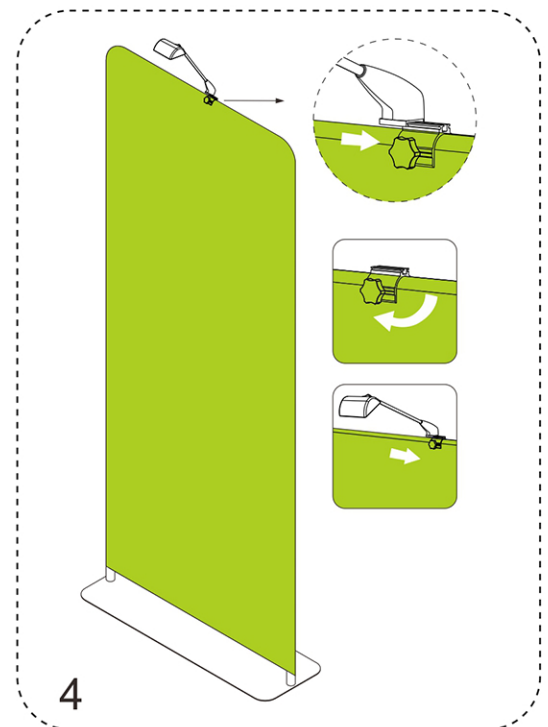
To connect all the aluminium tubes according to the numbering



Using the big plastic screw parts to fasten the bottom cross bar



To wrap the fabric banner on the frame and zip up, afterwards install whole display stand to the base.



To install the lights clips to the top of display stand and fasten by screw, then slip the lights in position